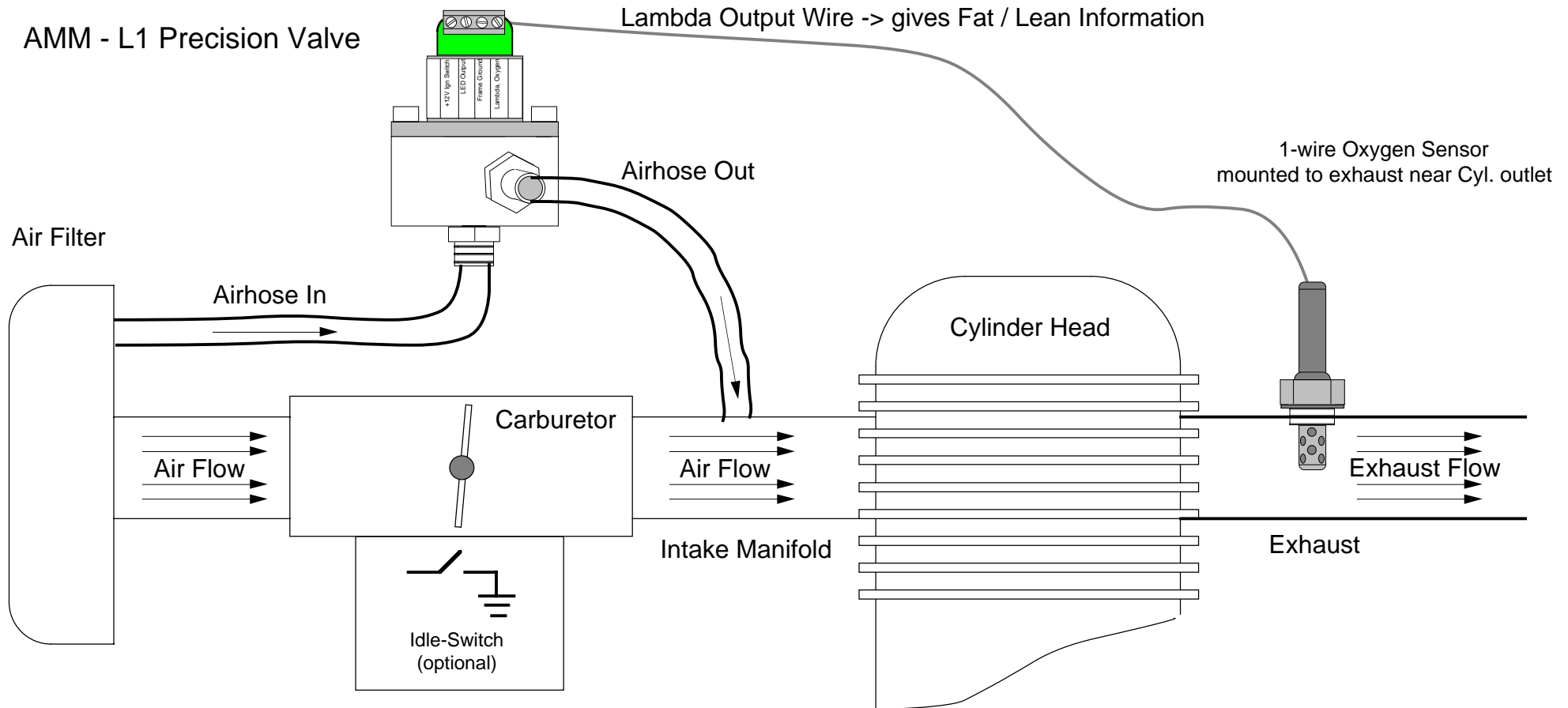


# AMM - L1 LAMBDA REGULATOR SYSTEM OVERVIEW

## CONNECTION DIAGRAM



### WARNING!

Do not overtighten terminal screws. Please take care, that there are no short circuits between the cables.