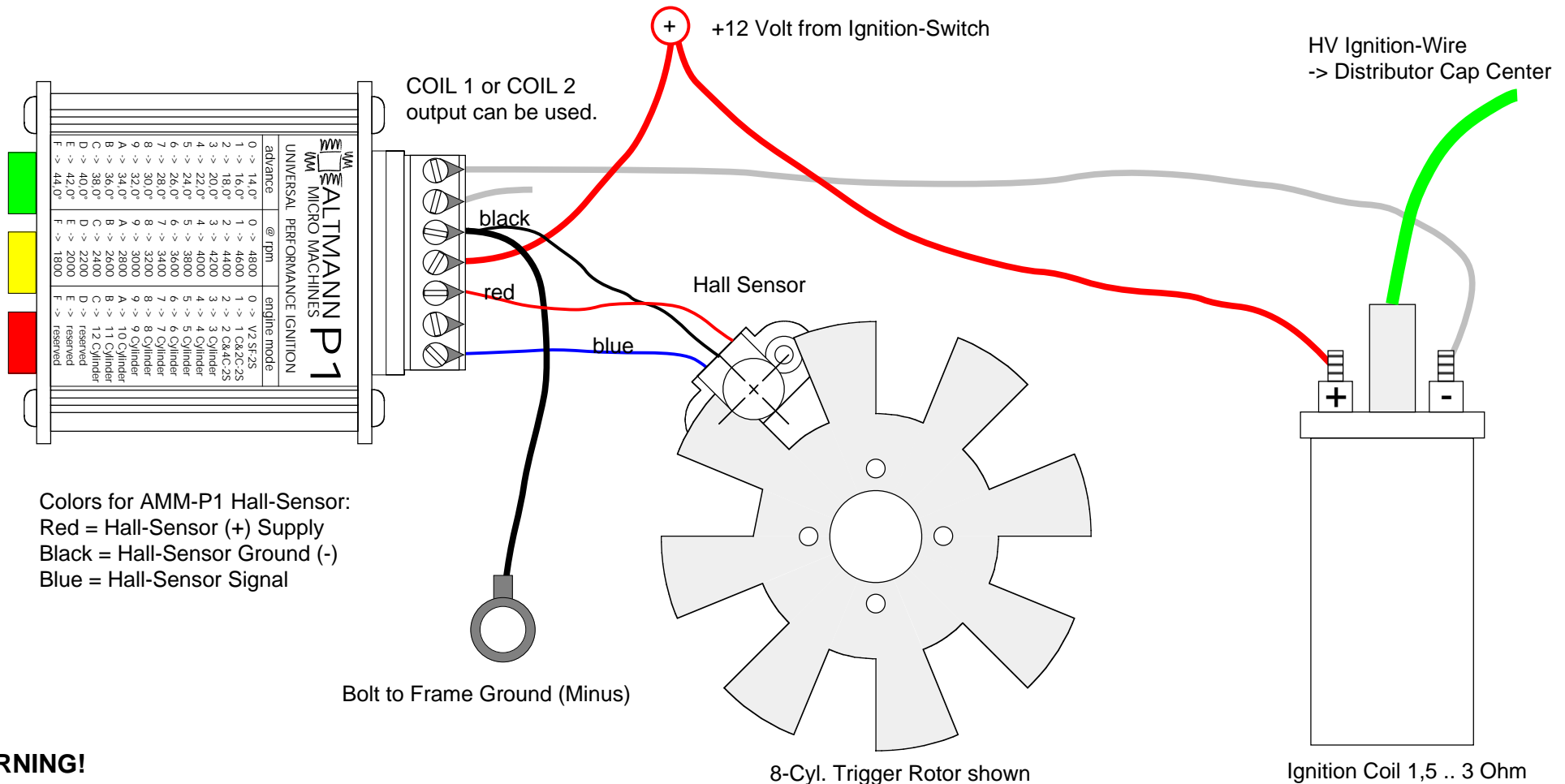


AMM - P1 IGNITION SYSTEM OVERVIEW

Connection Diagram for 3..12 Cylinder Distributor Engines -> Engine Mode 3..12



WARNING!

Persons with heart diseases must not install or maintenance this ignition system!

Do not overtighten terminal screws. Please take care, that there are no short circuits between the cables.

During installation keep the ignition coil disconnected from the P1 ignition in order to prevent dangerous voltages. Never use this ignition system without ignition cables and spark-plugs properly connected! This diagram is for 2..3 Ohm ignition coils. If you use a different ignition coil, please refer to the corresponding diagram.